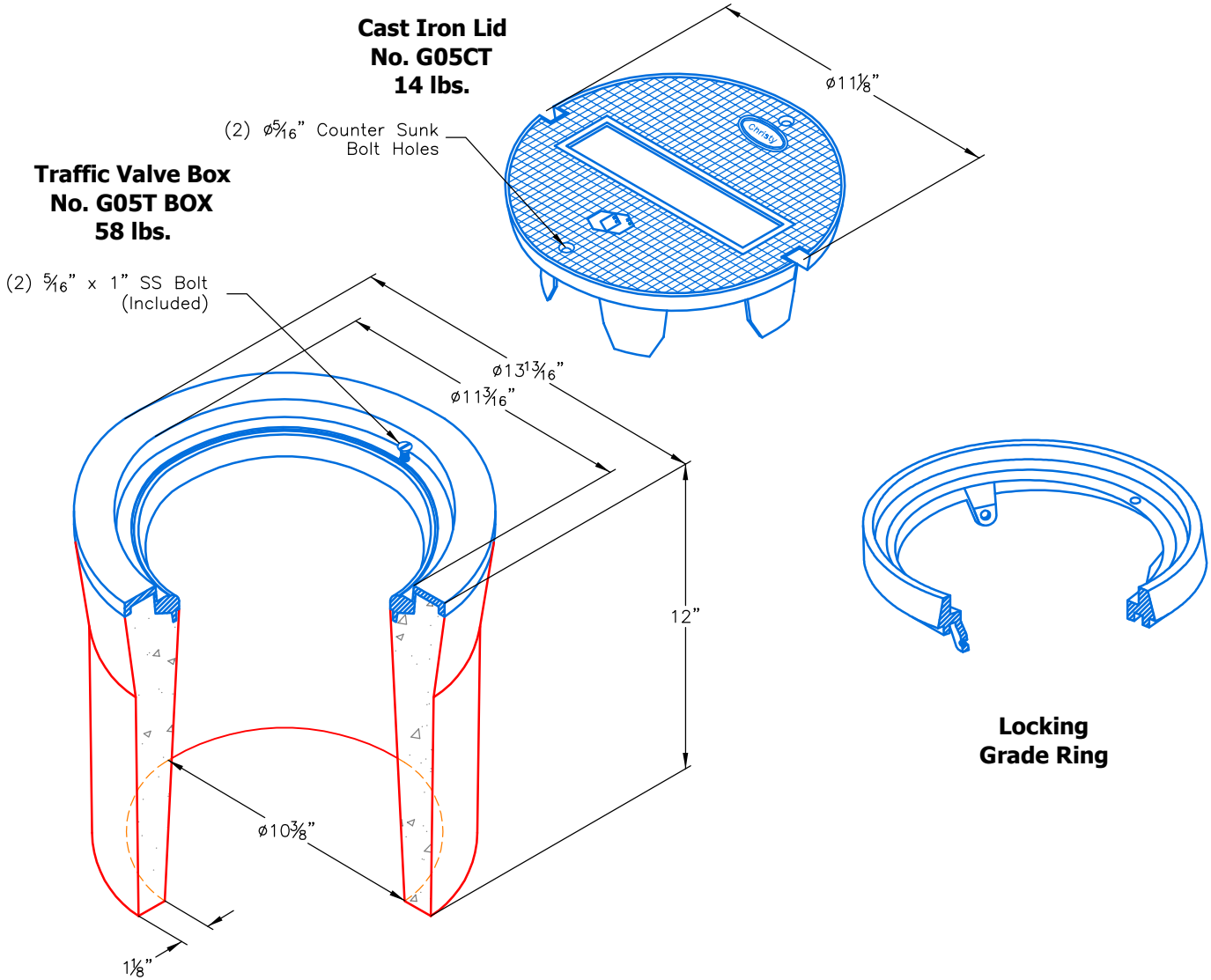


- Traffic Box is H/20 rated



The largest throat diameter for a box in its size range permits quick, easy valve adjustments, The large throat also makes this unit highly adaptable as a survey monument box. Unique locking grade rings assure permanence and quality of surface grades when streets are re-paved. The carefully engineered cast iron lid and ring includes machined surfaces and bolting features reducing the danger of lid "pop-out" in high traffic areas. Bolt down recommended for high traffic areas. Approximate dimensions and weight shown.

Oldcastle Ordering Code	Item	Approx. Shipping Weight	Description
G05TBOX	BOX	58 lbs.	G05T Traffic Valve Box (10 $\frac{3}{8}$ " I.D. x 12" high) – 36 per pallet– (includes $\frac{1}{4}$ "–20 x 1", bolts)
G05CT	LID	14 lbs.	Bolt Down Cast Iron Lid
G05X12	EXTENSION	38 lbs.	12" Reinforced Concrete– 36 per pallet
G05TGR10	GRADE RING	10 lbs.	1" High cast iron
G05TGR15	GRADE RING	14 lbs.	1 $\frac{1}{2}$ " High cast iron
G05TGR20	GRADE RING	18 lbs.	2" High cast iron



**Oldcastle Precast®**  
Enclosure Solutions

Phone: (800) 258-4583 Fax: (800) 468-4583  
Copyright © 2011 Oldcastle Precast Inc.

### G05T BOX

FILE NAME: G05\_ISO

ISSUE DATE: January, 2011

[www.oldcastleprecast.com](http://www.oldcastleprecast.com)

### G05T TRAFFIC VALVE BOX 10-3/8" I.D. x 12"

